

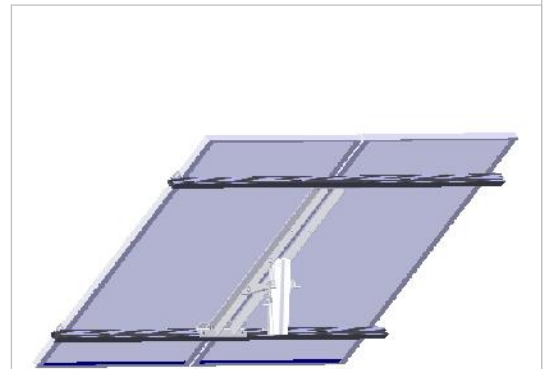
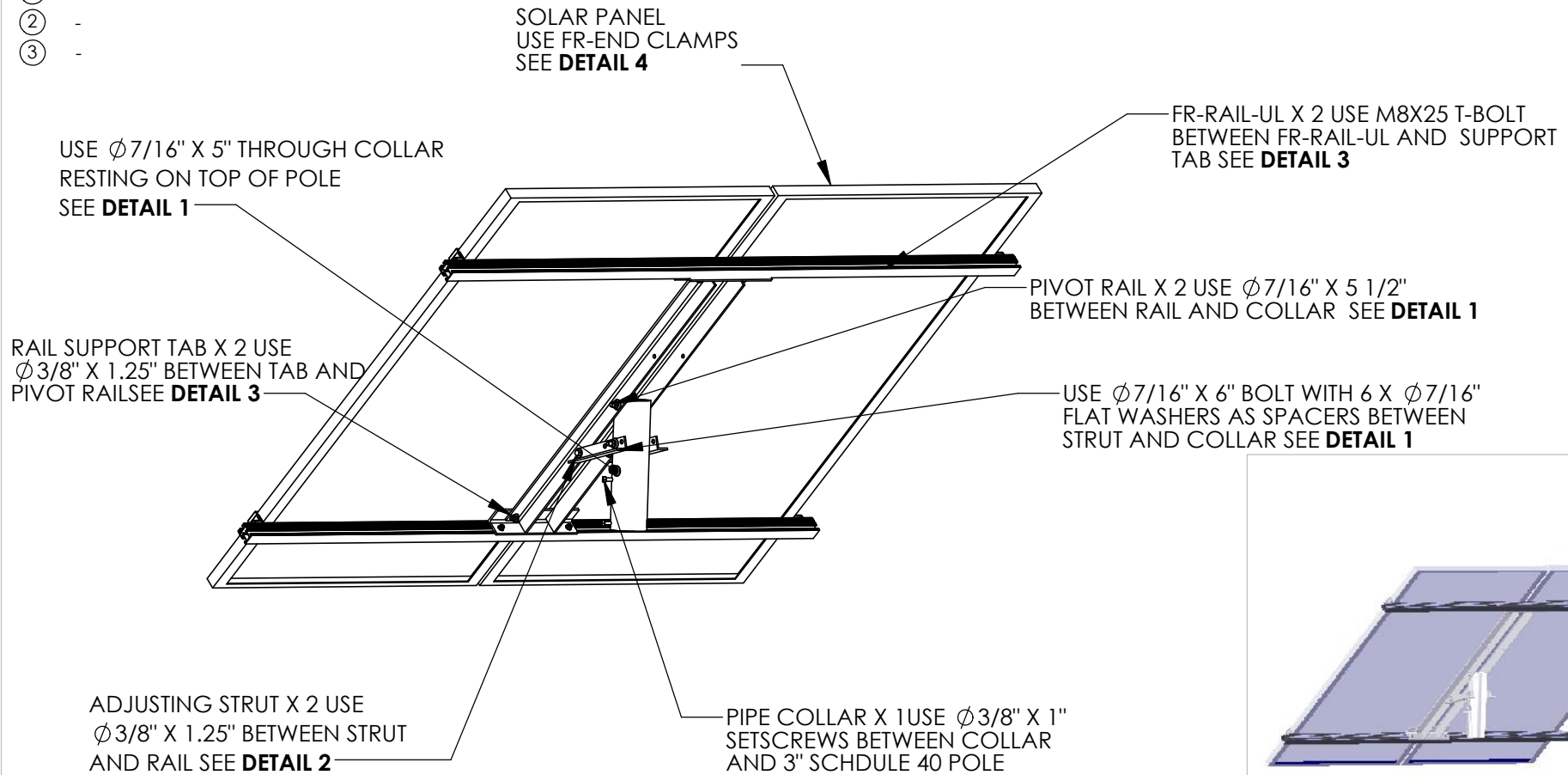
NOTE:
 -INSTALLER IS RESPONSIBLE FOR PROPER
 INSTALLATION AND FOUNDATION BASED
 ON SITE WIND LOADING AND LOCAL BUILDING CODES.
 -SUBJECT TO LOCAL STRUCTURAL ENGINEERING APPROVAL

NOTE:
 -TO BE WIRED BY QUALIFIED TECHNICIAN
 IN ACCORDANCE WITH LOCAL ELECTRICAL CODES.

NOTES:

- ① 60 CELL CONFIGURATION SHOWN
- ② -
- ③ -

REVISIONS				
REV.	DESCRIPTION	DATE	BY	APPROVED
-	INITIAL RELEASE	12/09/13	SL	
A	UPDATED ASSEMBLY, UPDATED NOTES, ADDED 72 CELL CONFIG	7/13/2017	AS	



H.E.S. PV

84 MORROW RD.
 BARRIE, ON L4N 3V8
 1-866-258-0110
 WWW.HESPV.COM

PROJECT:

-

USED ON ASSY:

-

CLONE FROM:

103045A

UNLESS OTHERWISE SPECIFIED:

DIMENSIONS ARE IN INCHES
 TOLERANCES:
 FRACTIONAL $\pm 1/16$
 ANGULAR: MACH \pm BEND \pm
 TWO PLACE DECIMAL ± 0.06
 THREE PLACE DECIMAL ± 0.03

INTERPRET GEOMETRIC
 TOLERANCING PER:

MATERIAL:

FINISH:

DRAWN

NAME

DATE

SL

12/09/13

CHECKED

-

-

ENG APPR.

MFG APPR.

Q.A.

TITLE: FR-TPM2-UNI

DWG. NO.

105213

REV

A

SCALE: NTS

SHEET SIZE: A

SHEET 1 OF 4

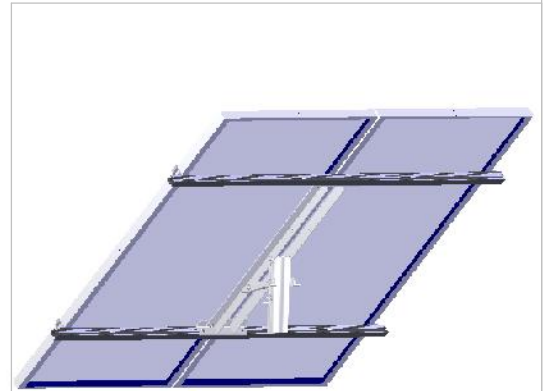
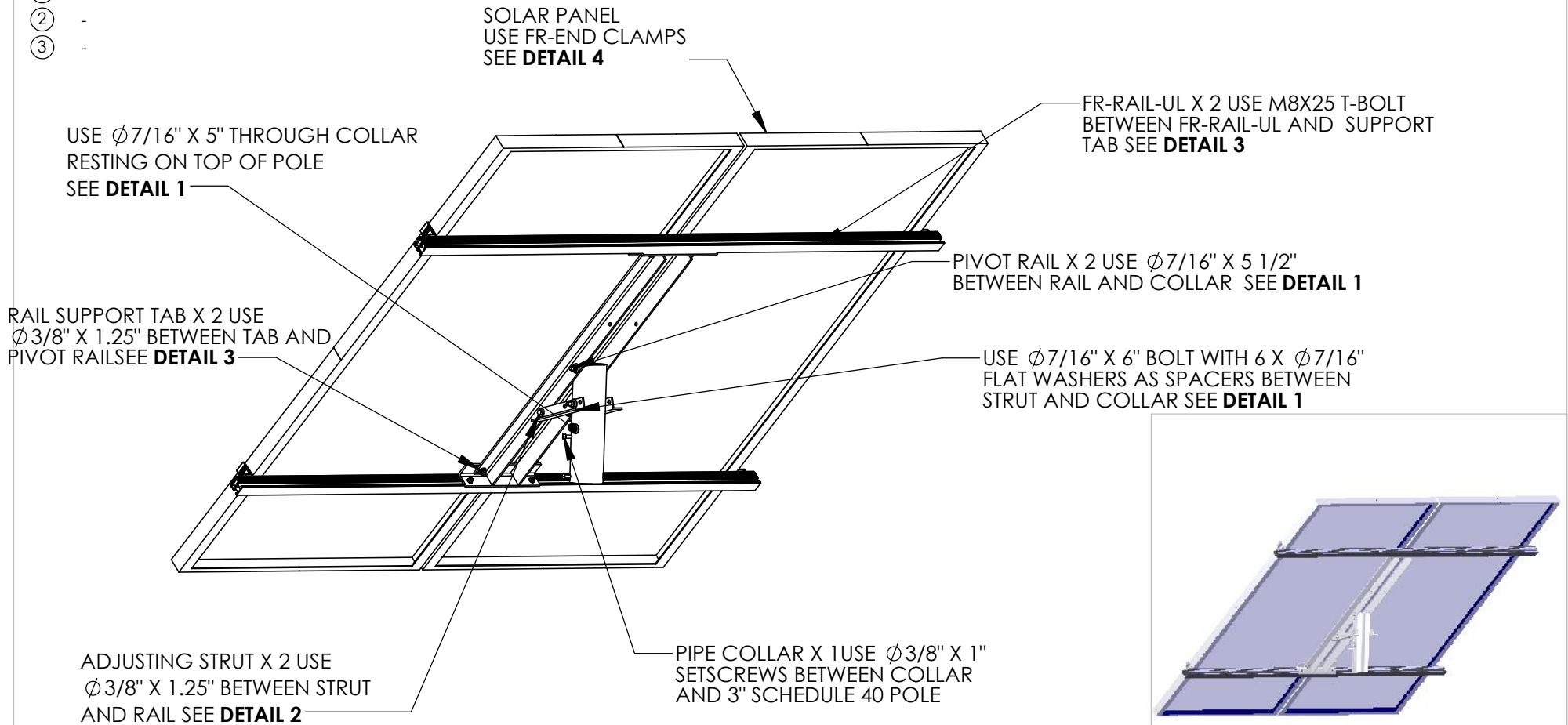
NOTE:
 -INSTALLER IS RESPONSIBLE FOR PROPER
 INSTALLATION AND FOUNDATION BASED
 ON SITE WIND LOADING AND LOCAL BUILDING CODES.
 -SUBJECT TO LOCAL STRUCTURAL ENGINEERING APPROVAL

NOTE:
 -TO BE WIRED BY QUALIFIED TECHNICIAN
 IN ACCORDANCE WITH LOCAL ELECTRICAL CODES.

REVISIONS				
REV.	DESCRIPTION	DATE	BY	APPROVED
-	INITIAL RELEASE	12/09/13	SL	
A	UPDATED ASSEMBLY, UPDATED NOTES, ADDED 72 CELL CONFIG	7/13/2017	AS	

NOTES:

- ① 72 CELL CONFIGURATION SHOWN
- ② -
- ③ -



H.E.S. PV

84 MORROW RD.
 BARRIE, ON L4N 3V8
 1-866-258-0110
 WWW.HESPV.COM

PROJECT:

-

USED ON ASSY:

-

CLONE FROM:

103045A

UNLESS OTHERWISE SPECIFIED:

DIMENSIONS ARE IN INCHES
 TOLERANCES:
 FRACTIONAL $\pm 1/16$
 ANGULAR: MACH \pm BEND \pm
 TWO PLACE DECIMAL ± 0.06
 THREE PLACE DECIMAL ± 0.03

INTERPRET GEOMETRIC
 TOLERANCING PER:

MATERIAL:

FINISH:

DRAWN

NAME

SL

CHECKED

-

ENG APPR.

MFG APPR.

Q.A.

DATE

12/09/13

-

TITLE: FR-TPM2-UNI

DWG. NO.

105213

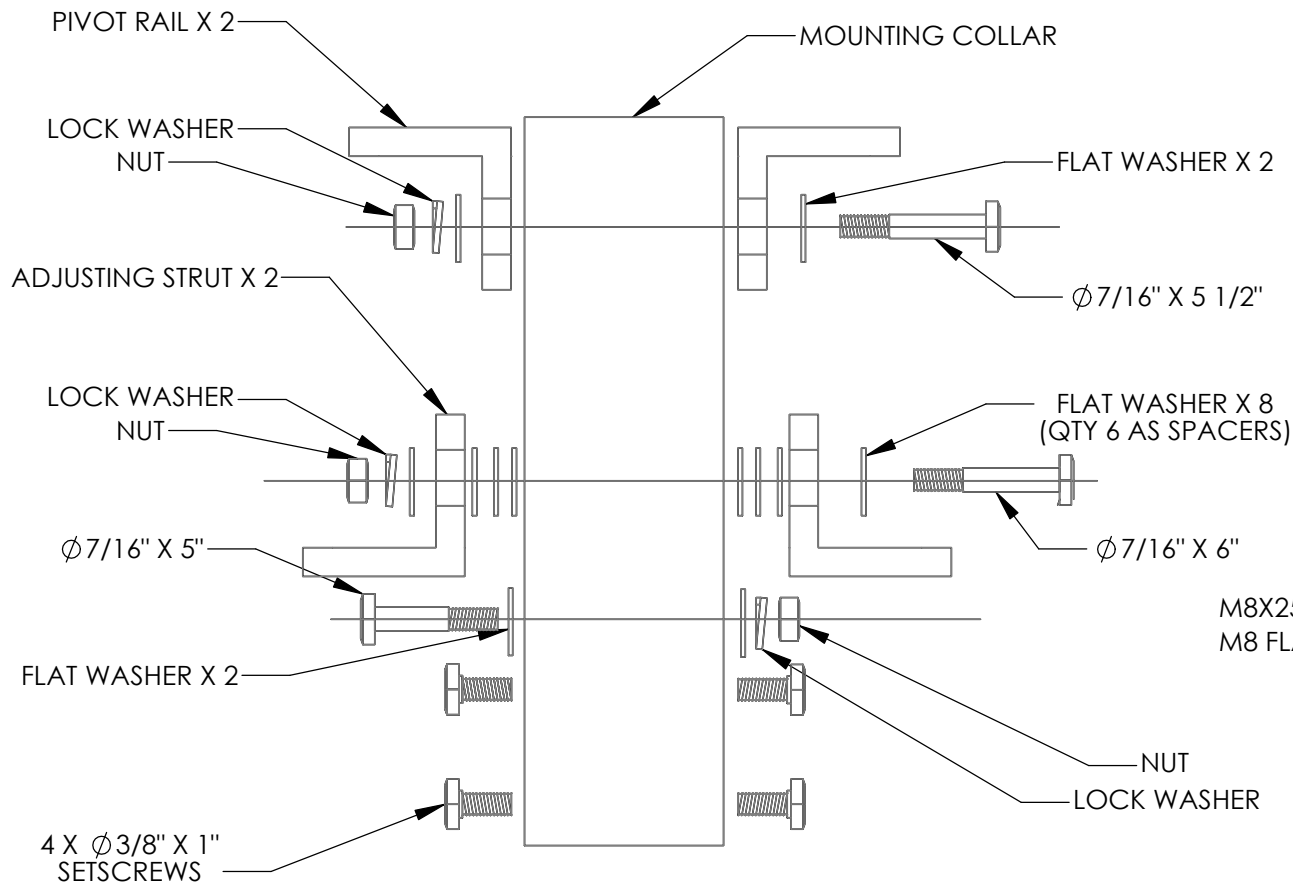
REV

A

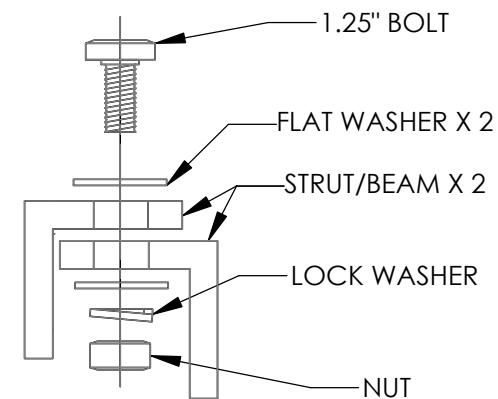
SCALE: NTS

SHEET SIZE: A

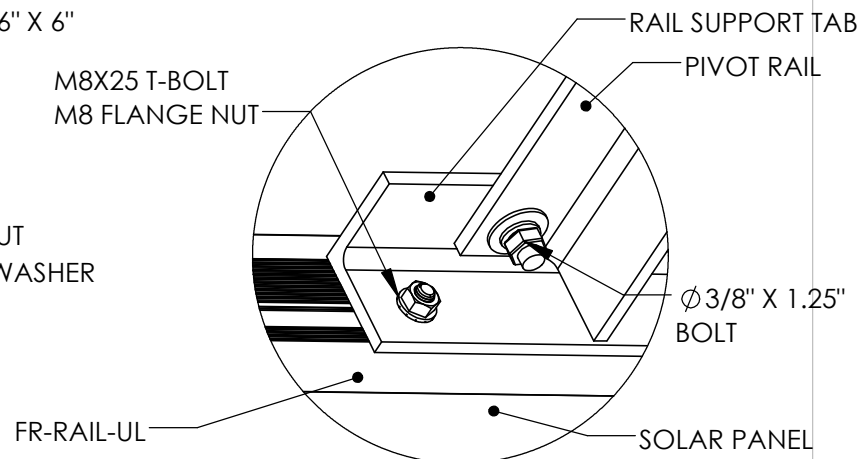
SHEET 2 OF 4



DETAIL 1
 MOUNTING COLLAR
 FOR 3" SCHEDULE 40 POLE

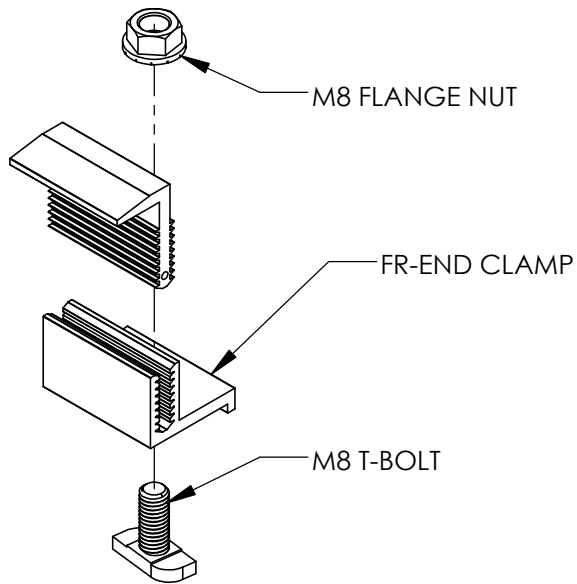


DETAIL 2
 $\phi 3/8''$ FASTENERS

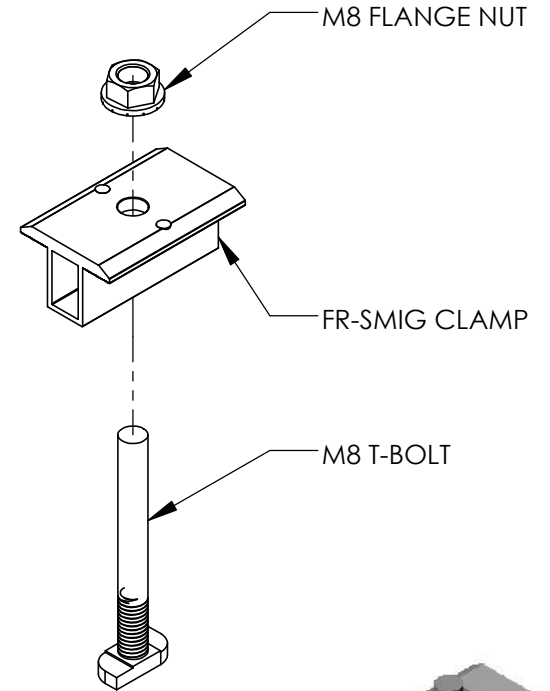
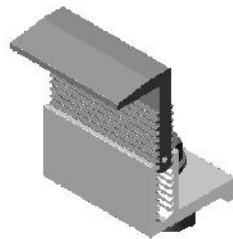


DETAIL 3
 M8X25 T-BOLT
 FR-RAIL-UL TO RAIL SUPPORT TAB TO PIVOT RAIL

H.E.S. PV		UNLESS OTHERWISE SPECIFIED: <small>DIMENSIONS ARE IN INCHES TOLERANCES: FRACTIONAL $\pm 1/16$ ANGULAR: MACH \pm BEND \pm TWO PLACE DECIMAL ± 0.06 THREE PLACE DECIMAL ± 0.03 INTERPRET GEOMETRIC TOLERANCING PER:</small>		NAME	DATE	TITLE: FR-TPM2-UNI	
84 MORROW RD. BARRIE, ON L4N 3V8 1-866-258-0110 WWW.HESPV.COM		PROJECT:	-	DRAWN	SL	12/09/13	DWG. NO. 105213
PROPRIETARY AND CONFIDENTIAL <small>THE INFORMATION CONTAINED IN THIS DRAWING IS THE SOLE PROPERTY OF HOME ENERGY SOLUTIONS. ANY REPRODUCTION IN PART OR AS A WHOLE WITHOUT THE WRITTEN PERMISSION OF H.E.S. PV IS PROHIBITED.</small>		USED ON ASSY:	-	CHECKED	-	-	
CLONE FROM:		103045A	MATERIAL:	ENG APPR.			SCALE: NTS
			FINISH:	MFG APPR.			SHEET SIZE: A
				Q.A.			SHEET 3 OF 4



DETAIL 4
FR-END CLAMP



DETAIL 5
FR-SMIG-XX-XX



H.E.S. PV		UNLESS OTHERWISE SPECIFIED:		NAME	DATE	TITLE: FR-TPM2-UNI	
84 MORROW RD. BARRIE, ON L4N 3V8 1-866-258-0110 WWW.HESPV.COM		PROJECT:		DRAWN	SL	12/09/13	
		-		CHECKED	-	-	
PROPRIETARY AND CONFIDENTIAL THE INFORMATION CONTAINED IN THIS DRAWING IS THE SOLE PROPERTY OF HOME ENERGY SOLUTIONS. ANY REPRODUCTION IN PART OR AS A WHOLE WITHOUT THE WRITTEN PERMISSION OF H.E.S. PV IS PROHIBITED.		USED ON ASS'Y:		ENG APPR.		DWG. NO.	
		-		MFG APPR.		105213	
CLONE FROM:		103045A		FINISH:	Q.A.	SCALE: NTS	
						SHEET SIZE: A	
						SHEET 4 OF 4	

5

4

3

2

1