

ELECTRICAL PARAMETERS @ STC

Module Type		GMA 100-36
Peak Power	P _{max} (W)	100
Maximun Power Voltage	V _{mp} (V)	18.0
Maximun Power Current	I _{mp} (A)	5.56
Open-circuit voltage	V _{oc} (V)	21.9
Short-circuit current	I _{sc} (A)	6.13
Module Efficiency	η(%)	14.75

Values at standard test conditions STC (Air mass AM1.5, Irradiance 1000W/sqm, Cell temperature 25°C)
Power Measurement Tolerance: 0 / +3%

MECHANICAL DATA

Solar Cell (type / dimension)	Mono-crystalline solar cells / 156 x 104 mm
Cell (quantity / orientation)	36 cells / 4 x 9
Module Dimension (L x W x H)	1005 X 674 X 35 mm
Weight	8.9 kg
Frame (material / colour)	Anodized aluminum / Silver
Front Glass (material / thickness)	High transmission low-iron tempered glass / 3.2mm
Backsheet (material)	Fluoropolymer coating / PET / polyolefin
Mechanical Load	50 psf, 245Kg/sqm, 2400 Pa, 0.34 psi, front and back
Junction Box (protection degree)	≥IP 65
Junction Box (diode)	Two (2) bypass diodes
Output Cables (Length/cross-sectional area)	900 mm length, 10 AWG PV cable, UV protected
Connector (type / protection degree)	MC4 / IP68 rated

TEMPERATURE COEFFICIENTS

Nominal Operating Cell Temp. (NOCT)	45 +/- 2 °C
Voltage Temperature Coefficient (VOC)	-0.31% / °C
Current Temperature Coefficient (Isc)	0.033% / °C
Power Temperature Coefficient (Pmax)	-0.42% / °C

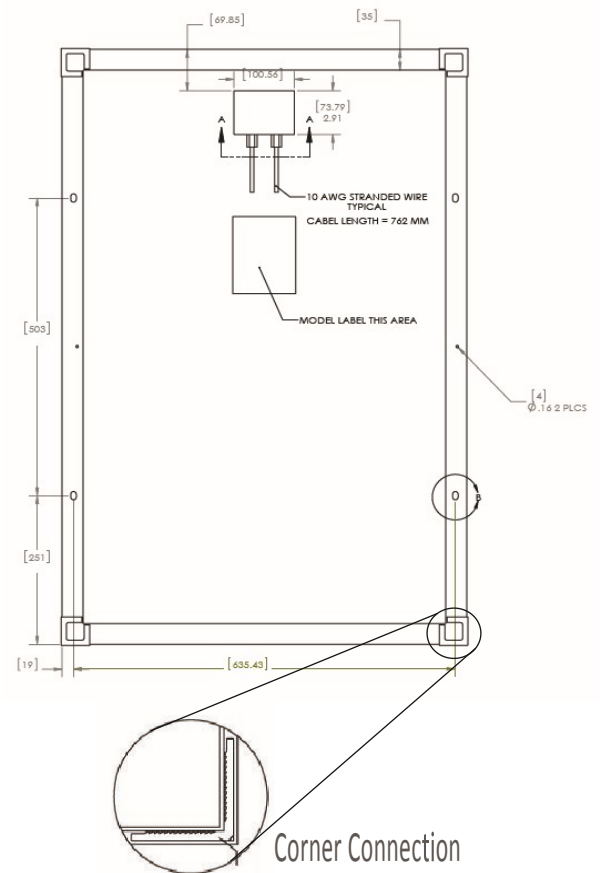
MAXIMUM RATINGS

Operational Temperature	-40°C to +85°C
Maximun System Voltage	1000V DC (IEC) - 600V DC (UL)
Max Series Fuse Rating	10A

WARRANTY & CERTIFICATIONS

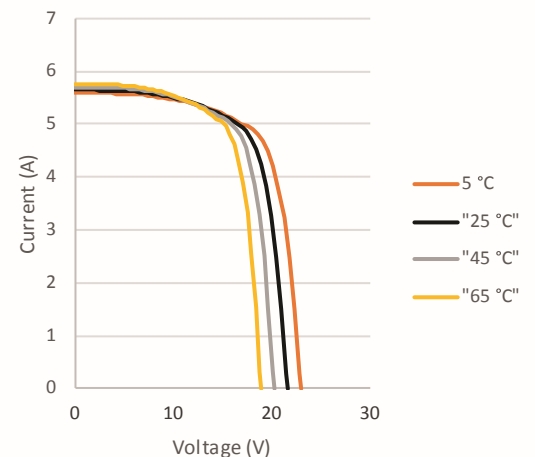
Certification	Tested to UL 1703 / IEC 61215 / IEC 61730 CE .
Fire Rating	Class C
Warranty	12 years workmanship, 12 years 90%, 25 years 80% Power Warranty

MECHANICAL DRAW (Back View)



I-V CURVE OF PV MODULE GMA 100W 36c-M

GMA 100W 36c-M / IV CURVES



Note: The specifications are subject to change without notice.