

## TECHNICAL SPECIFICATION

### IC123100 Bi-Directional (120V Series) 3000W Inverter + 100A Charger



#### Product features

- Combines a 3000W DC-AC Inverter plus transfer switch with a 100A multi-stage battery charger.
- True sinewave output identical to or better than power provided by the local utility company.
- Multi-stage battery charging ensures batteries are charged to battery manufacturer's recommendations.
- Variable settings offered for Gel, Flooded, AGM, and Lithium battery compatibility.
- High start-up surge rated 2X continuous power rating.

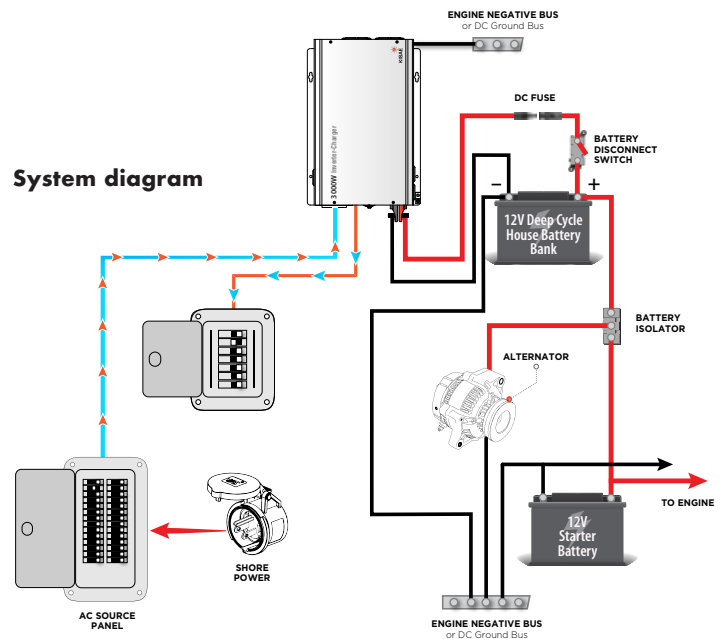
#### Product dimensions

Width: 12.0", Length: 17.75", Height: 4.125" (305mm x 450mm x 105mm)  
Base width: 14.57" (370 mm)

Specifications subject to change without notice.

kisaepower.com

#### System diagram



#### Available output options



USA



HARDWIRE

## IC123100 Bi-Directional (120V Series) 3000W Inverter + 100A Charger

### Inverter

AC Output Power (Continuous)	3000W
AC Output Power (Peak - 1 second)	6000W
AC Output Voltage/Frequency	120 VAC / 60 Hz
AC Output Current	25.0A
AC Output Current (Peak)	50A max (with max power limitation)
AC Output Waveform	True Sinewave (<5% THD)
Peak Efficiency	90%
Input Voltage (nominal)	12.5Vdc
Input Voltage Operation Range	10.5 - 17.0Vdc
Input Standby Current	<3.0A
Input Standby Current (Power Save)	< 0.6A

### Battery Charger

Charger Voltage Range	13.8 - 14.8 V (Selectable)
Float Voltage Range	13.0 - 14.4 V (Selectable)
Charger Current (Maximum)	100A
Charger Battery Type	Gel, Flooded (with Eq.), AGM, Lithium, Program, Fixed Power Supply
Charging Stages	Check, Bulk, Absorption, Float, Recharge
Recharge Voltage Range	12.8 - 14.0 V (Selectable)
Recharge Timer	7-days (Automatic)
Power Sharing	Reduce Charger Current when heavy AC Load is connected

### AC Transfer Switch

AC Input Voltage/Frequency	120 VAC (Accept MSW AC Input)
AC Input Voltage Acceptance Range:	108 - 132 VAC
Transfer Time	< 50ms
Transfer Relay Rating	30A
AC Input Port	Hardwire 30A Heavy Duty Connector
AC Output Port	Hardwire 30A Heavy Duty Connector
AC Input Socket	NEMA 5-20 GFCI Socket (Optional)

### Protection

Battery Input Undervoltage Shutdown:	10.5 - 12.0Vdc (with dynamic control)
Battery Input Undervoltage Warning:	11.0 - 12.5Vdc
Battery Input Undervoltage Recovery:	11.5 - 13.0Vdc
Battery Input Overvoltage Shutdown:	17.0Vdc
Inverter Overload Warning/Shutdown:	2800W / 3300W
Unit Over-temp Warning/Shutdown:	Yes

### Display (Main Unit)

Power On/Off Switch	Yes (Push Button)
Indicator	3 LEDs (Power, AC Output, Unit Status)

### Display (continued)

Remote Display Port	For Remote Display Panel use
Battery Temperature Sensor Port:	For use with Battery Temperature Sensor (BTT)
Ignition Start Port	For use with Vehicle 'ACC' signal

### Remote Display Panel (External)

Indicator (LED)	Power, AC Output, Unit and Battery Status
Display Type	LCD with backlighting
Numerical Display Function	Battery Voltage, AC Power, DC Current
Graphics Display Function	AC Bypass, Battery Power, AC Input, Battery Status Warning/Fault Code
Communication	CAN BUS, Bluetooth (optional)
USB Port	Unit software upgrade

### Accessories (optional)

Display Remote Panel	DR1201
----------------------	--------

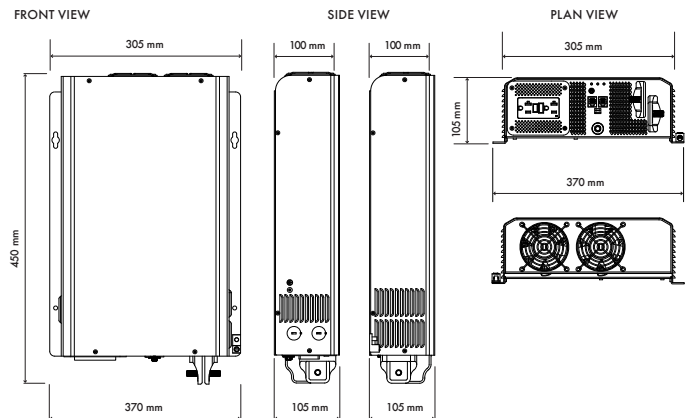
### Regulatory Compliance

Markings	cETLus
Conformance	UL & CSA Standards
EMI/EMC	FCC Part 15 Class B

### Size

Dimensions (W x L x H)	12.0" x 17.75" x 4.125" (305mm x 450mm x 105mm)
Net Weight	23.8 lbs. / 10.8kg

### Schematic Drawings



### Standard warranty

1 year warranty



This product carries a cETLus safety certification which complies with the Regulatory safety standards for North America.

All specifications subject to change without notice.  
Copyright © 2019 Kisa Technology Inc. All Rights Reserved under UCC 1-207 without prejudice.

To learn more about this and other fine Kisa products please contact:  
[info@kisaetechnology.com](mailto:info@kisaetechnology.com)

[kisaepower.com](http://kisaepower.com)

**Distributor:**